

GUERRA

M 1000.24A

GUERRA



Tel.: +34 986 58 20 00
Fax: +34 986 58 22 91



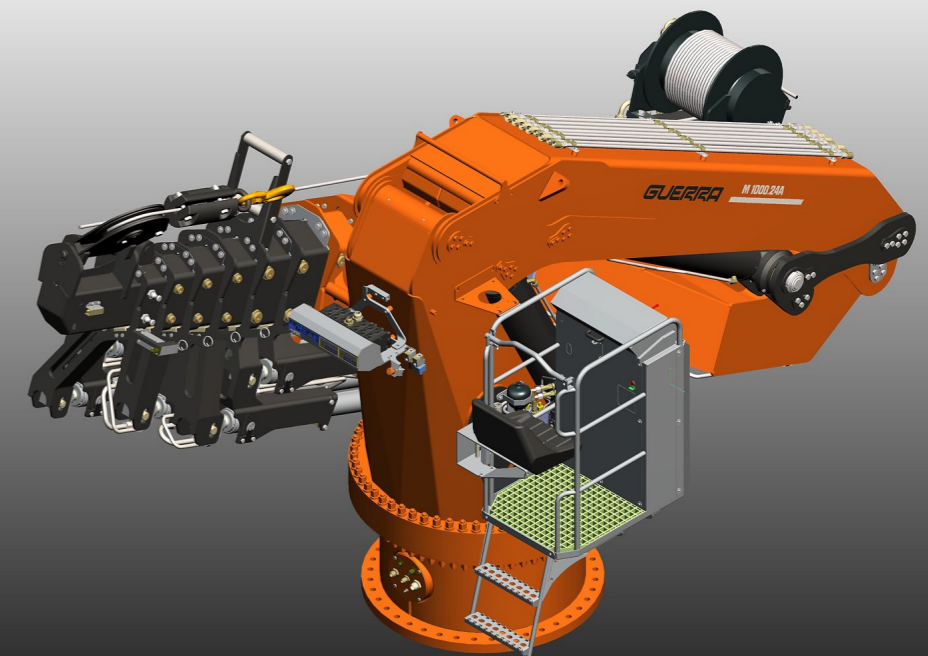
Avda. Benigno Sánchez s/n
36590 VILA DE CRUCES
(Pontevedra) - Spain



www.iguerra.com
info@iguerra.com



Capture to contact



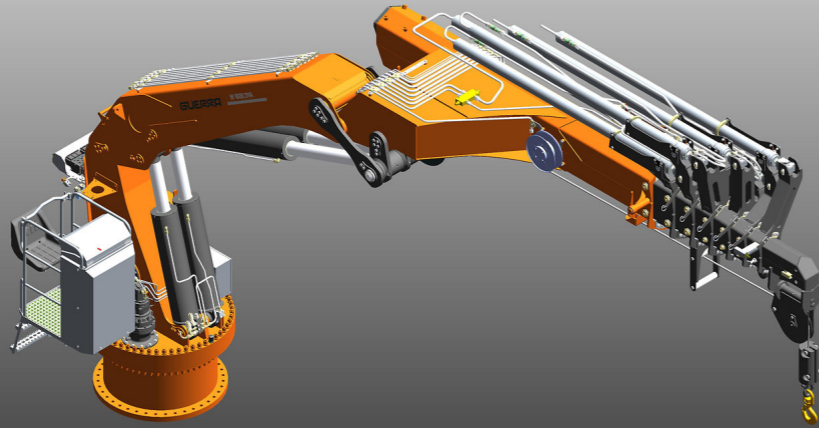
In favour of improving our products, INDUSTRIAS GUERRA reserves the right to make whatever modifications it considers appropriate without prior notice.
ED. 09/2019



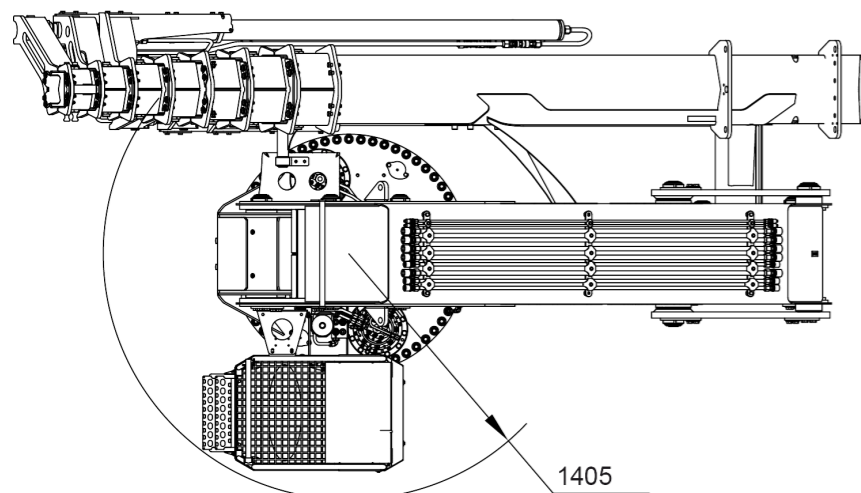
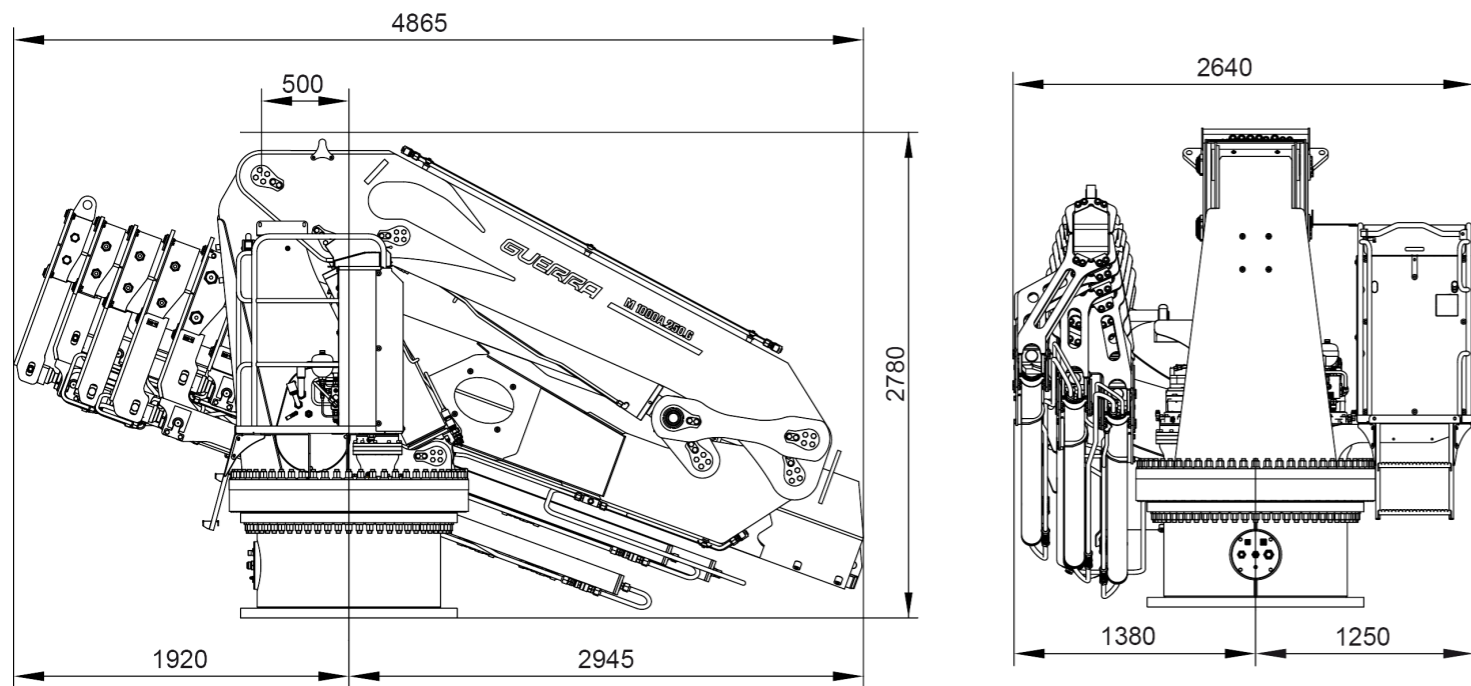
Hydraulic cranes

MARINE

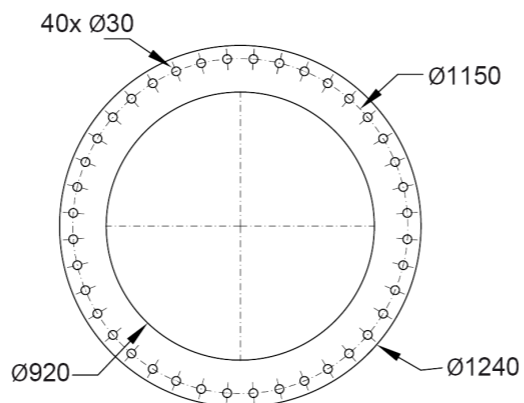
M 1000.24A



DIMENSIONS



40 Bolts M27 - 10.9(μ k=0.14)
 Tightening torque 1260 Nm (Once use)
 Tightening torque 884 Nm (Several uses)



TECHNICAL DATA

		M 1000.24A1	M 1000.24A2	M 1000.24A3	M 1000.24A4	M 1000.24A5	M 1000.24A6
MAXIMUM LIFTING CAPACITY	[kNm]	942.7	917.1	890.4	864.8	840.4	822.5
MAXIMUM HYDRAULIC OUTREACH	[m]	8.7	11.4	14.1	17.0	19.6	22.3
GROSS SLEWING TORQUE	[kNm]	92.0	92.0	92.0	92.0	92.0	92.0
SLEWING ANGLE	[°]	cont.	cont.	cont.	cont.	cont.	cont.
MAXIMUM WORKING PRESSURE	[bar]	300	300	300	300	300	300
MAXIMUM OIL FLOW	[l/min]	200	200	200	200	200	200
MASS OF STANDARD CRANE	[Kg]	7315	7915	8490	9010	9490	9925

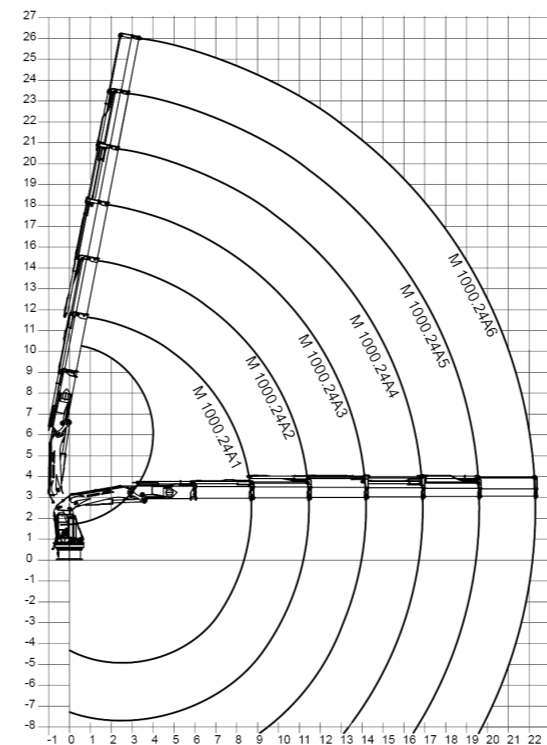
DATA

- ✓ Built according DIN 15018 H1-B3
- ✓ The structure of the crane is grit blasted and metallized
- ✓ Double coat of priming and two layers of painting
- ✓ Special cylinders with Ni-Cr piston rods for marine environments
- ✓ Hose fittings and Pipes of hydraulic installation in stainless steel
- ✓ Hoses with rubber "type A" double coat
- ✓ Crown Wheel-bearing slewing system, actuated by motor reducers
- ✓ Safety valves on the cylinders
- ✓ Hydraulic load limiter and Emergency stop button.

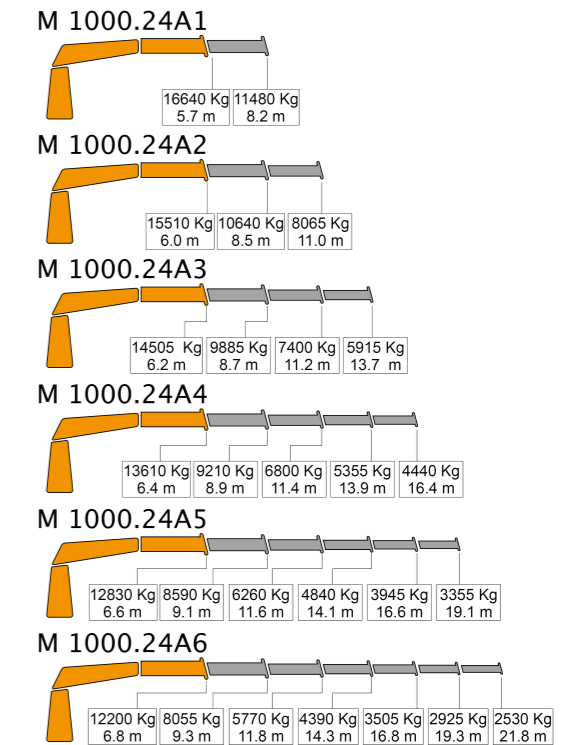
+ OPTIONAL

- ✓ Hydraulic winch.
- ✓ Remote control.
- ✓ Auxiliary hydraulic intakes.
- ✓ Electric, diesel or gasoline HPU

POSITIONS DIAGRAM



LOAD DIAGRAM



Only for use with hook - sea state 0 or harbour condition. For other uses or conditions, contact us. * When operating with winch, loads must be reduced by the weight of installed winch.