

**GUERRA**

M 180.20A

**GUERRA**



Tel.: +34 986 58 20 00  
Fax: +34 986 58 22 91



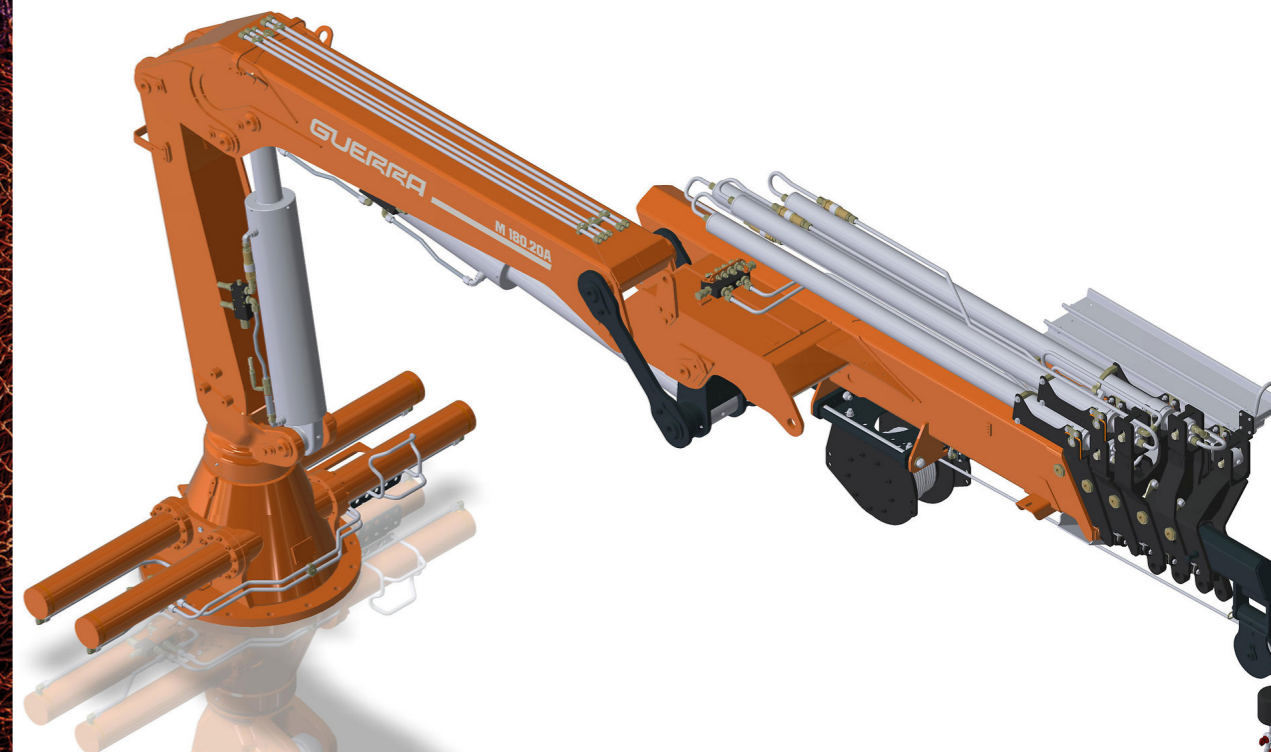
Avda. Benigno Sánchez s/n  
36590 VILA DE CRUCES  
(Pontevedra) - Spain



[www.iguerra.com](http://www.iguerra.com)  
[info@iguerra.com](mailto:info@iguerra.com)



Capture to contact



In favour of improving our products, INDUSTRIAS GUERRA reserves the right to make whatever modifications it considers appropriate without prior notice.  
ED. 05/2019



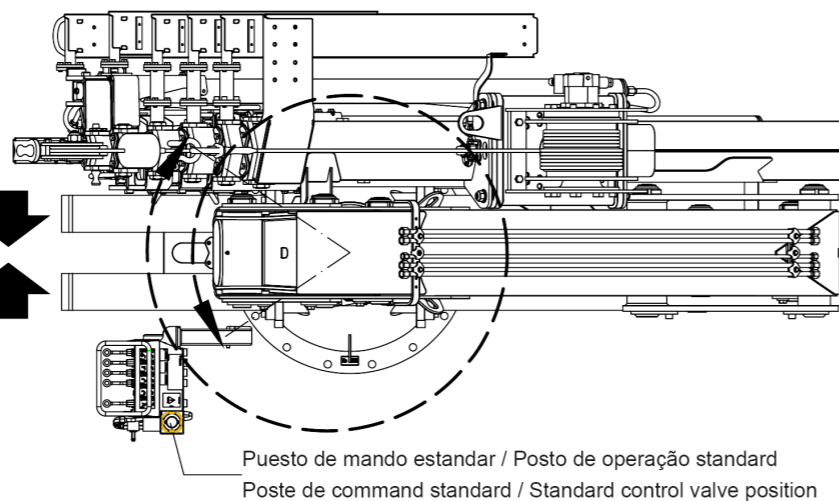
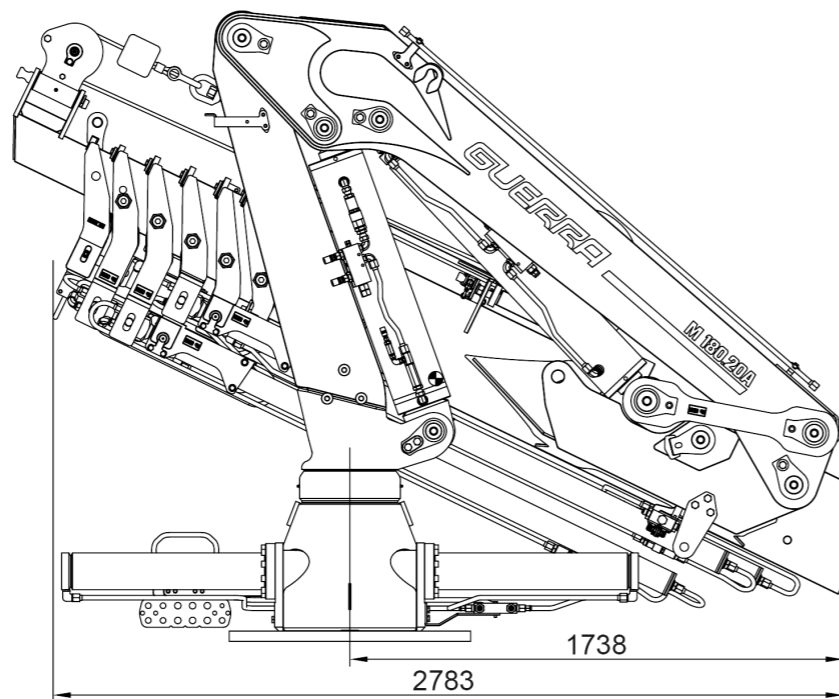
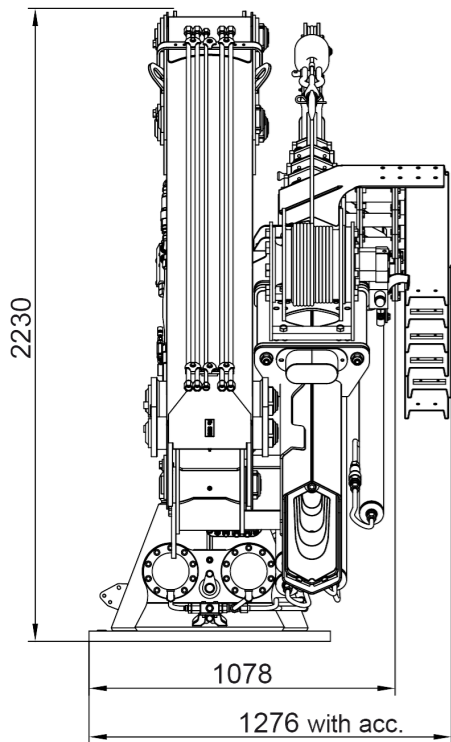
Hydraulic cranes

**MARINE**

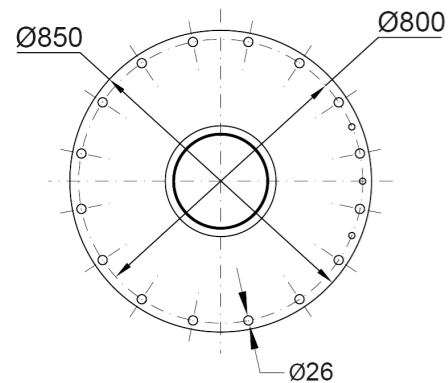
# M 180.20A



## DIMENSIONS



16 Bolts M24 - 10.9 ( $\mu$  k=0.14)  
Tightening torque 1000 Nm (Once use)  
Tightening torque 770 Nm (Several uses)



Punto muerto de giro estándar / Ponto morto de rotação standard  
Point mort de rotation standard / Standard stop slewing point

Puesto de mando estándar / Posto de operação standard  
Poste de command standard / Standard control valve position

## TECHNICAL DATA

M 180.20A1 M 180.20A2 M 180.20A3 M 180.20A4 M 180.20A5

|  |                            |         |       |       |       |       |       |
|--|----------------------------|---------|-------|-------|-------|-------|-------|
|  | MAXIMUM LIFTING CAPACITY   | [kNm]   | 179.0 | 173.4 | 167.9 | 162.5 | 157.1 |
|  | MAXIMUM HYDRAULIC OUTREACH | [m]     | 6.2   | 8.1   | 10.0  | 12.0  | 13.8  |
|  | GROSS SLEWING TORQUE       | [kNm]   | 40    | 40    | 40    | 40    | 40    |
|  | SLEWING ANGLE              | [°]     | 400   | 400   | 400   | 400   | 400   |
|  | MAXIMUM WORKING PRESSURE   | [bar]   | 245   | 245   | 245   | 245   | 245   |
|  | MAXIMUM OIL FLOW           | [l/min] | 50    | 50    | 50    | 50    | 50    |
|  | MASS OF STANDARD CRANE     | [Kg]    | 2305  | 2475  | 2637  | 2795  | 2925  |

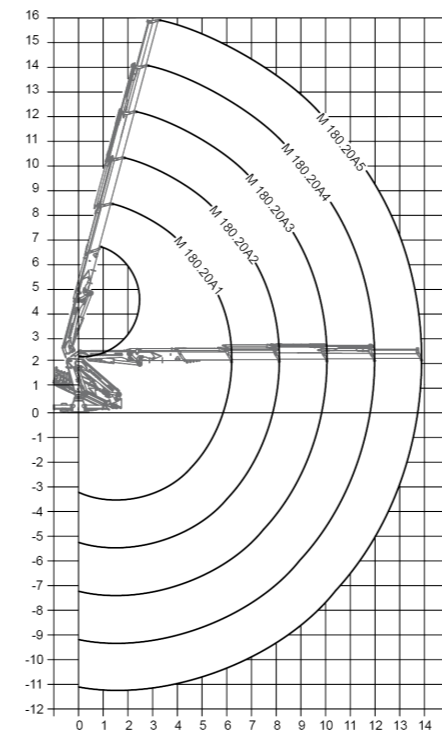
## DATA

- ✓ Built according UNE 13001 HC2-HD4-S2
- ✓ The structure of the crane is grit blasted and metallized
- ✓ Double coat of priming and two layers of painting
- ✓ Special cylinders with Ni-Cr piston rods for marine environments
- ✓ Hose fittings and Pipes of hydraulic installation in stainless steel
- ✓ Hoses with rubber "type A" double coat
- ✓ Wheel-rack slewing system, via cylinders, with bronze bushings
- ✓ Safety valves on the cylinders
- ✓ Hydraulic load limiter and Emergency stop button.

## + OPTIONAL

- ✓ Hydraulic winch.
- ✓ Remote control.
- ✓ Auxiliary hydraulic intakes.
- ✓ Cab.
- ✓ Electric, diesel or gasoline HPU

## POSITIONS DIAGRAM



## LOAD DIAGRAM

