

GUERRA

M 230.20A

GUERRA



Tel.: +34 986 58 20 00
Fax: +34 986 58 22 91



Avda. Benigno Sánchez s/n
36590 VILA DE CRUCES
(Pontevedra) - Spain



www.iguerra.com
info@iguerra.com



Capture to contact



In favour of improving our products, INDUSTRIAS GUERRA reserves the right to make whatever modifications it considers appropriate without prior notice.
ED. 06/2020



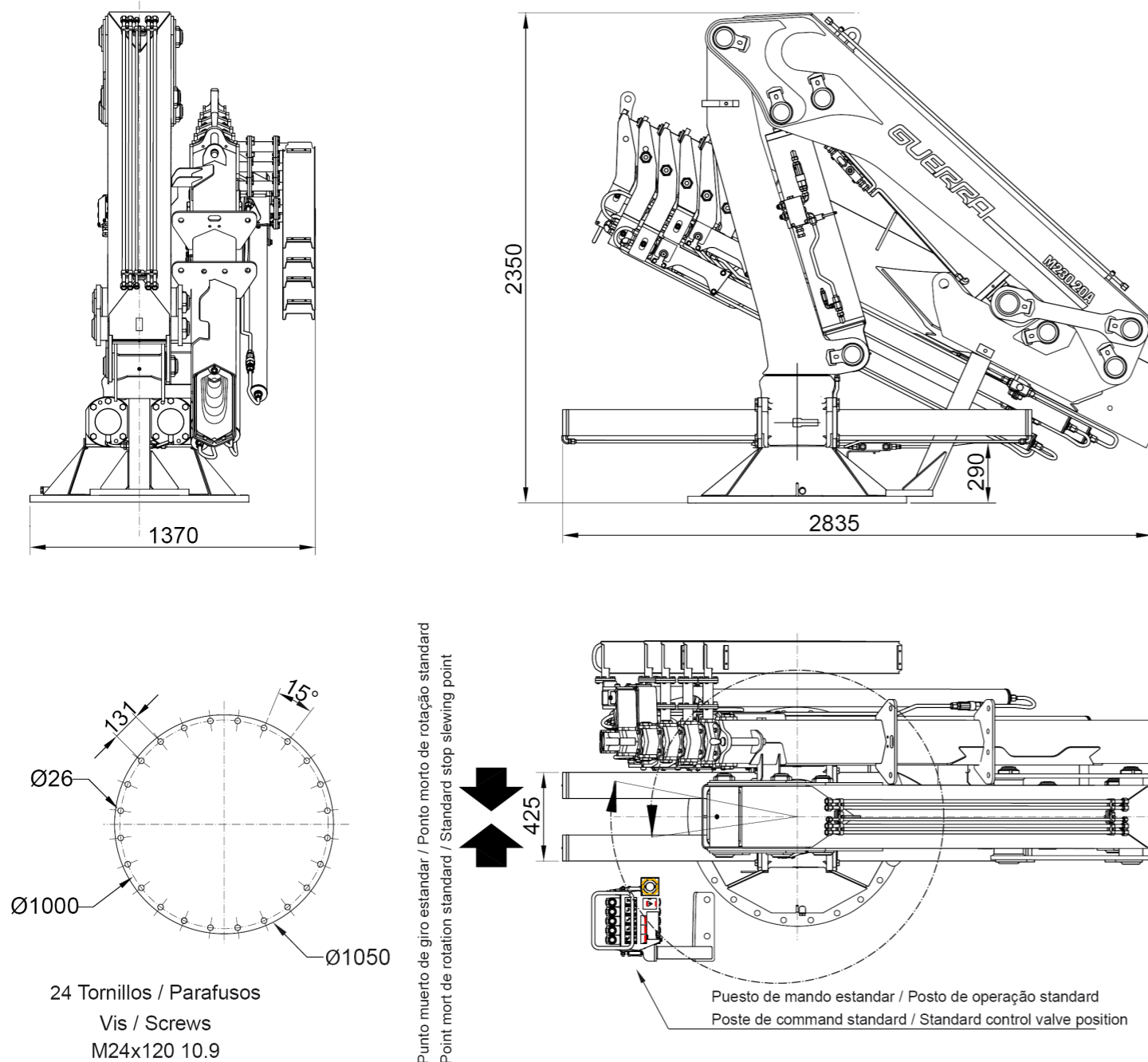
Hydraulic cranes

MARINE

M 230.20A



DIMENSIONS



TECHNICAL DATA

		M 230.20A2	M 230.20A3	M 230.20A4	M 230.20A5
MAXIMUM LIFTING CAPACITY	[kNm]	214.0	209.8	205.2	202.6
MAXIMUM HYDRAULIC OUTREACH	[m]	8.0	9.9	11.8	13.7
GROSS SLEWING TORQUE	[kNm]	44.43	44.43	44.43	44.43
SLEWING ANGLE	[°]	398	398	398	398
MAXIMUM WORKING PRESSURE	[bar]	250	250	250	250
MAXIMUM OIL FLOW	[l/min]	45	45	45	45
MASS OF STANDARD CRANE	[Kg]	2850	3010	3135	3255

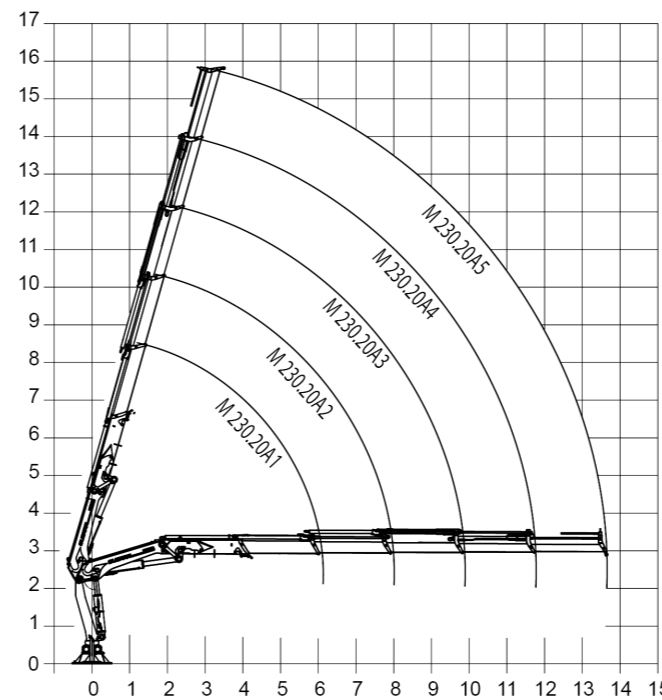
DATA

- ✓ Built according DIN 15018 H1-B3
- ✓ The structure of the crane is grit blasted and metallized
- ✓ Double coat of priming and two layers of painting
- ✓ Special cylinders with Ni-Cr piston rods for marine environments
- ✓ Hose fittings and Pipes of hydraulic installation in stainless steel
- ✓ Hoses with rubber "type A" double coat
- ✓ Wheel-rack slewing system, via cylinders, with bronze bushings
- ✓ Safety valves on the cylinders
- ✓ Hydraulic load limiter and Emergency stop button.

+ OPTIONAL

- ✓ Hydraulic winch.
- ✓ Remote control.
- ✓ Auxiliary hydraulic intakes.
- ✓ Cab.
- ✓ Electric, diesel or gasoline HPU

POSITIONS DIAGRAM



LOAD DIAGRAM

