

**GUERRA**

M 350.24A

**GUERRA**



Tel.: +34 986 58 20 00  
Fax: +34 986 58 22 91



Avda. Benigno Sánchez s/n  
36590 VILA DE CRUCES  
(Pontevedra) - Spain



[www.iguerra.com](http://www.iguerra.com)  
[info@iguerra.com](mailto:info@iguerra.com)



Capture to contact



In favour of improving our products, INDUSTRIAS GUERRA reserves the right to make whatever modifications it considers appropriate without prior notice.  
ED. 11/2020



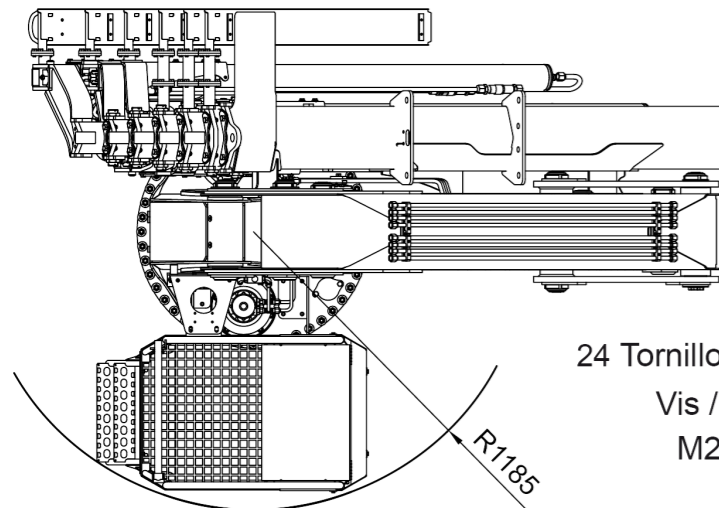
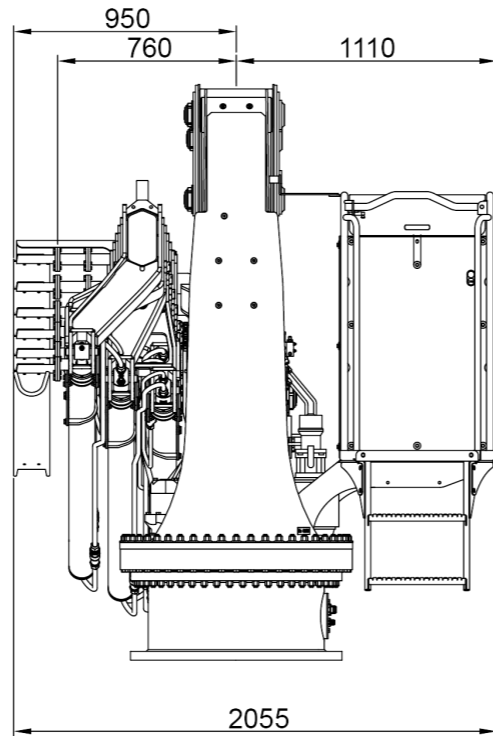
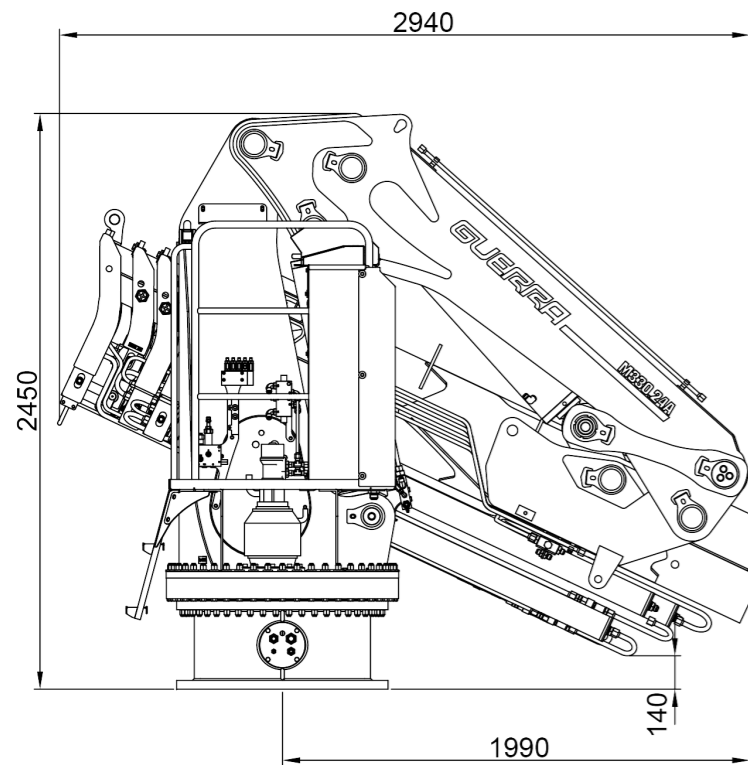
Hydraulic cranes

**MARINE**

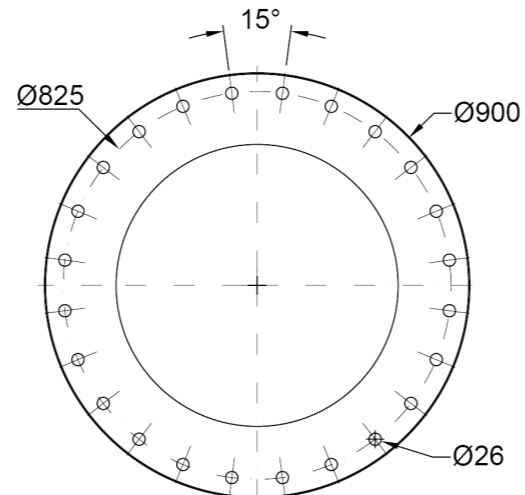
# M 350.24A



## DIMENSIONS



24 Tornillos / Parafusos  
Vis / Screws  
M24 10.9



## TECHNICAL DATA

M 350.24A2 M 350.24A3 M 350.24A4 M 350.24A5 M 350.24A6

|  |                            |         |       |       |       |       |       |
|--|----------------------------|---------|-------|-------|-------|-------|-------|
|  | MAXIMUM LIFTING CAPACITY   | [kNm]   | 315.7 | 306.5 | 299.0 | 290.4 | 283.3 |
|  | MAXIMUM HYDRAULIC OUTREACH | [m]     | 8.1   | 10.0  | 12.0  | 13.9  | 15.8  |
|  | GROSS SLEWING TORQUE       | [kNm]   | 45    | 45    | 45    | 45    | 45    |
|  | SLEWING ANGLE              | [°]     | cont  | cont  | cont  | cont  | cont  |
|  | MAXIMUM WORKING PRESSURE   | [bar]   | 240   | 240   | 240   | 240   | 240   |
|  | MAXIMUM OIL FLOW           | [l/min] | 70    | 70    | 70    | 70    | 70    |
|  | MASS OF STANDARD CRANE     | [Kg]    | 3650  | 3815  | 3970  | 4100  | 4215  |

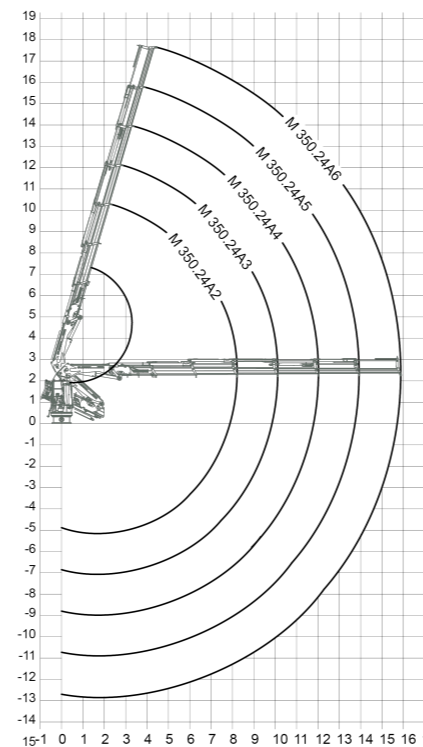
## DATA

- ✓ Built according DIN 15018 H1-B3
- ✓ The structure of the crane is grit blasted and metallized
- ✓ Double coat of priming and two layers of painting
- ✓ Special cylinders with Ni-Cr piston rods for marine environments
- ✓ Hose fittings and Pipes of hydraulic installation in stainless steel
- ✓ Hoses with rubber "type A" double coat
- ✓ Crown Wheel-bearing slewing system, actuated by motor reducers
- ✓ Safety valves on the cylinders
- ✓ Hydraulic load limiter and Emergency stop button.

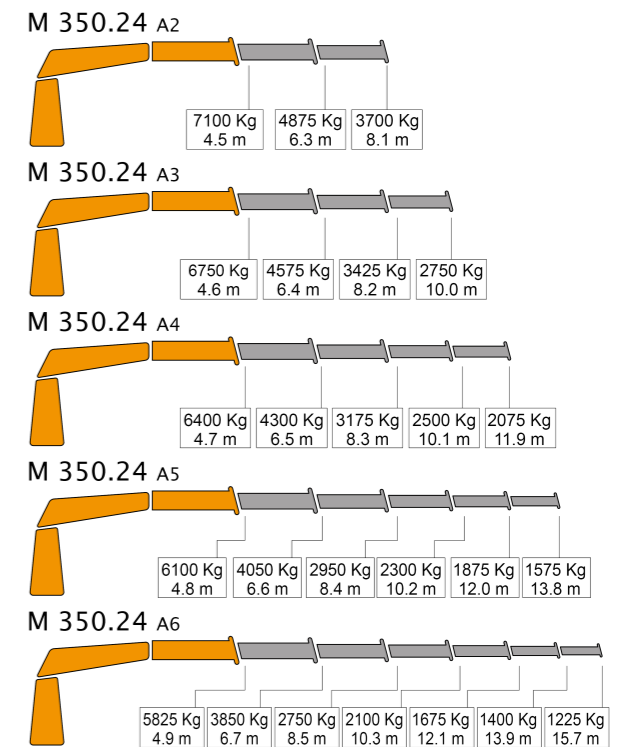
## OPTIONAL

- ✓ Hydraulic winch.
- ✓ Remote control.
- ✓ Auxiliary hydraulic intakes.
- ✓ Cab.
- ✓ Electric, diesel or gasoline HPU

## POSITIONS DIAGRAM



## LOAD DIAGRAM



Only for use with hook - sea state 0 or harbour condition. For other uses or conditions, contact us. \* When operating with winch, loads must be reduced by the weight of installed winch.