

GUERRA

M 720.24A

GUERRA



Tel.: +34 986 58 20 00
Fax: +34 986 58 22 91



Avda. Benigno Sánchez s/n
36590 VILA DE CRUCES
(Pontevedra) - Spain



www.iguerra.com
info@iguerra.com



Capture to contact



In favour of improving our products, INDUSTRIAS GUERRA reserves the right to make whatever modifications it considers appropriate without prior notice.
ED. 06/2022



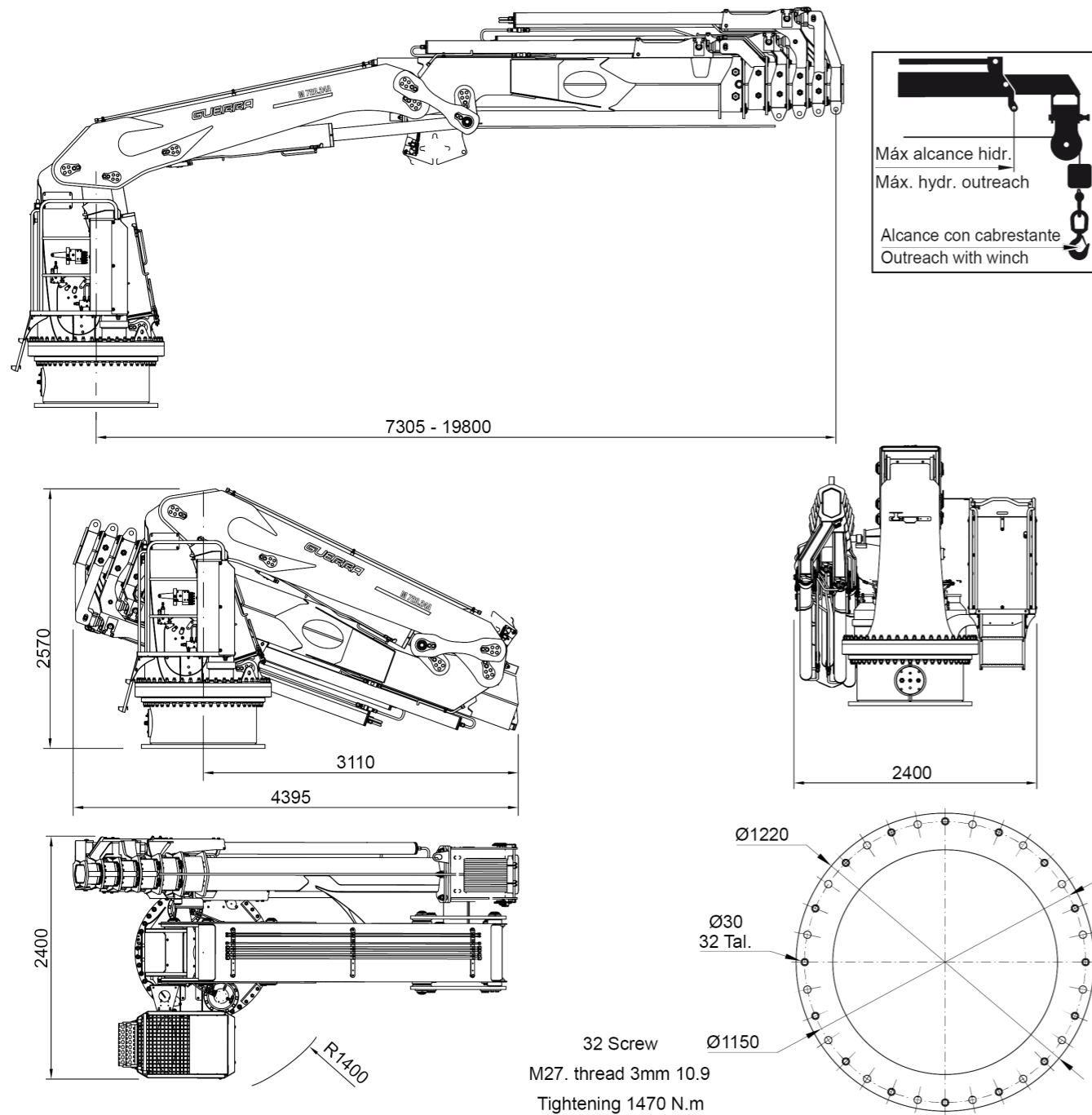
Hydraulic cranes

MARINE

M 720.24A



DIMENSIONS



TECHNICAL DATA

M 720.24A1 M 720.24A2 M 720.24A3 M 720.24A4 M 720.24A5

	MAXIMUM LIFTING CAPACITY	[kNm]	698.6	674.3	650.3	626.0	606.8
	MAXIMUM HYDRAULIC OUTREACH	[m]	9.0	11.7	14.4	17.1	19.8
	GROSS SLEWING TORQUE	[kNm]	80	80	80	80	80
	SLEWING ANGLE	[°]	cont.	cont.	cont.	cont.	cont.
	MAXIMUM WORKING PRESSURE	[bar]	250	250	250	250	250
	MAXIMUM OIL FLOW	[l/min]	100	100	100	100	100
	MASS OF STANDARD CRANE	[Kg]	6340	6845	7320	7775	8150

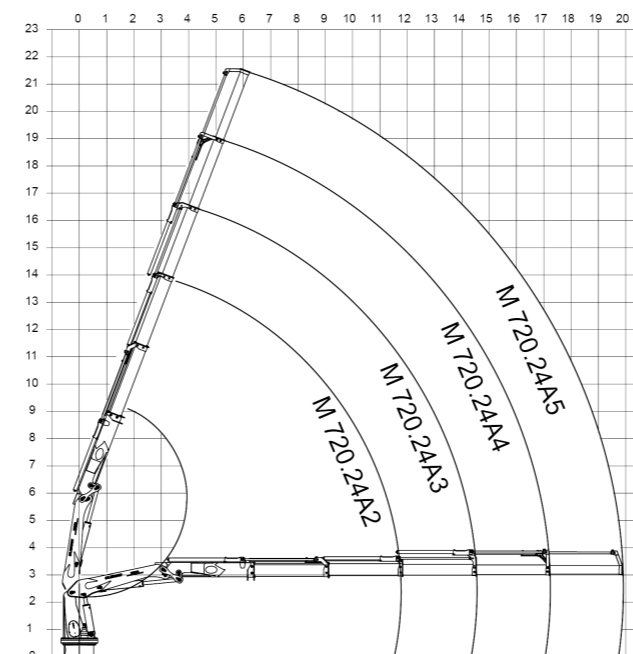
DATA

- ✓ Built according UNE-EN 13001-2 clas HC2/HD4-S2
- ✓ The structure of the crane is grit blasted and metallized
- ✓ Double coat of priming and two layers of painting
- ✓ Special cylinders with Ni-Cr piston rods for marine environments
- ✓ Hose fittings and Pipes of hydraulic installation in stainless steel
- ✓ Hoses with rubber "type A" double coat
- ✓ Crown Wheel-bearing slewing system, actuated by motor reducers
- ✓ Safety valves on the cylinders
- ✓ Hydraulic load limiter and Emergency stop button.

OPTIONAL

- ✓ Hydraulic winch.
- ✓ Remote control.
- ✓ Auxiliary hydraulic intakes.
- ✓ Electric, diesel or gasoline HPU

POSITIONS DIAGRAM



LOAD DIAGRAM

