

**GUERRA**

M 80.20A

**GUERRA**



Tel.: +34 986 58 20 00  
Fax: +34 986 58 22 91



Avda. Benigno Sánchez s/n  
36590 VILA DE CRUCES  
(Pontevedra) - Spain



www.iguerra.com  
info@iguerra.com



Capture to contact



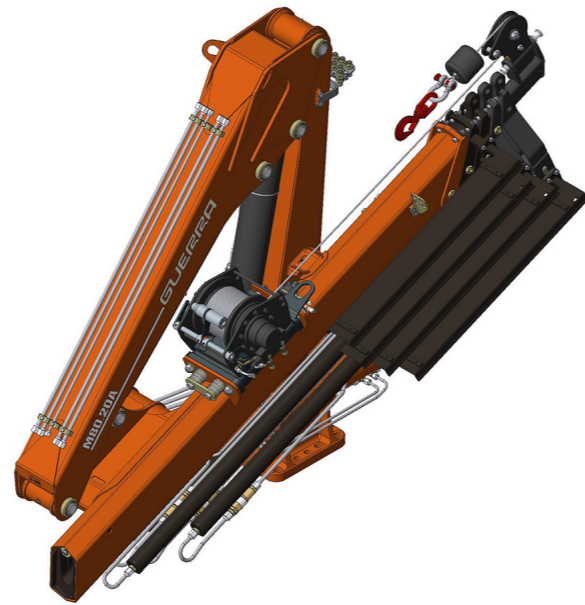
In favour of improving our products, INDUSTRIAS GUERRA reserves the right to make whatever modifications it considers appropriate without prior notice.  
ED. 03/2019



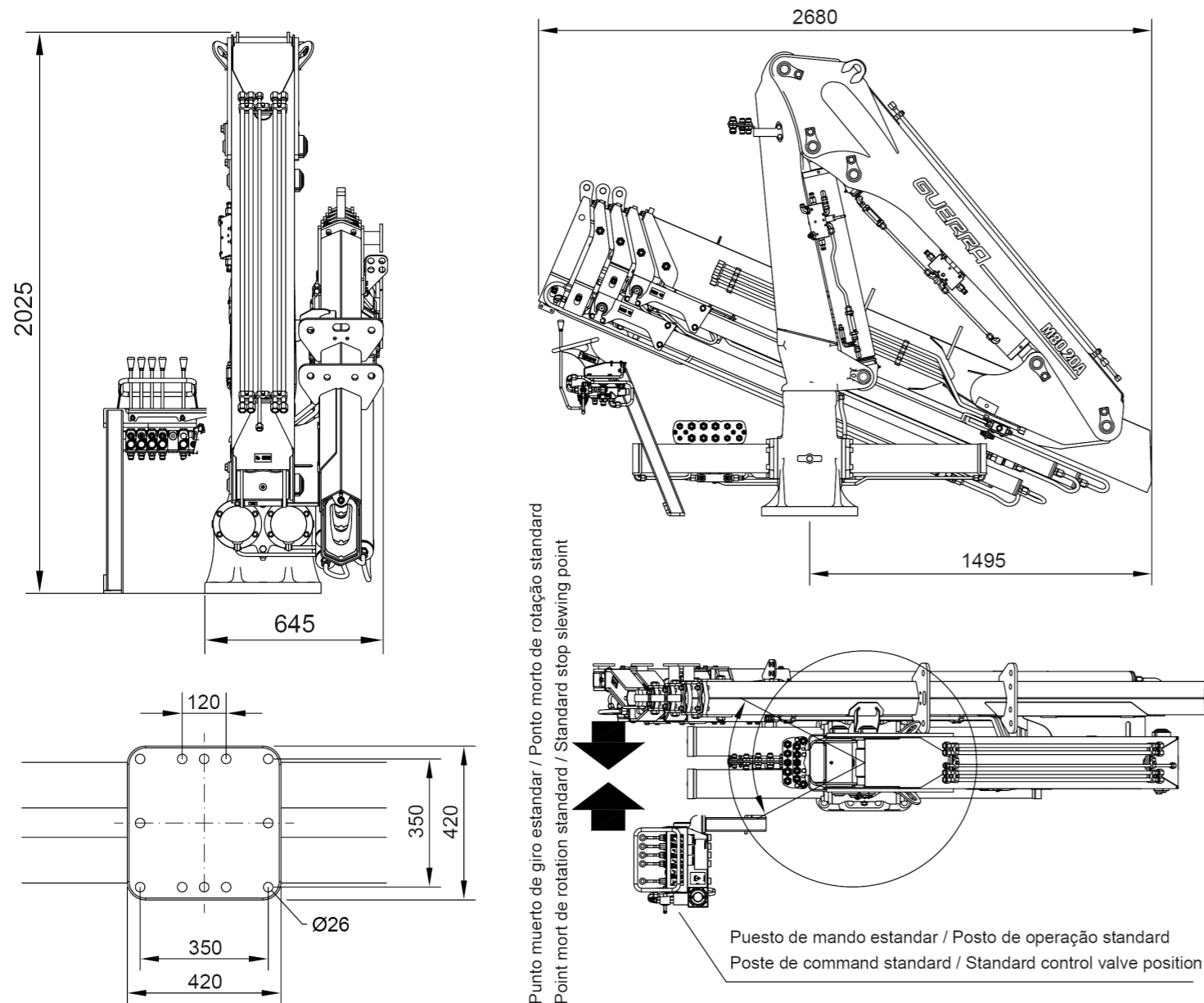
Hydraulic cranes

**MARINE**

# M 80.20A



## DIMENSIONS



## TECHNICAL DATA

M 80.20A1 M 80.20A2 M 80.20A3 M 80.20A4

		M 80.20A1	M 80.20A2	M 80.20A3	M 80.20A4	
	MAXIMUM LIFTING CAPACITY	[kNm]	76.7	73.5	70.5	67.4
	MAXIMUM HYDRAULIC OUTREACH	[m]	6.2	8.1	9.9	11.8
	GROSS SLEWING TORQUE	[kNm]	18.0	18.0	18.0	18.0
	SLEWING ANGLE	[°]	430	430	430	430
	MAXIMUM WORKING PRESSURE	[bar]	240	240	240	240
	MAXIMUM OIL FLOW	[l/min]	30	30	30	30
	MASS OF STANDARD CRANE	[Kg]	1073	1180	1280	1360

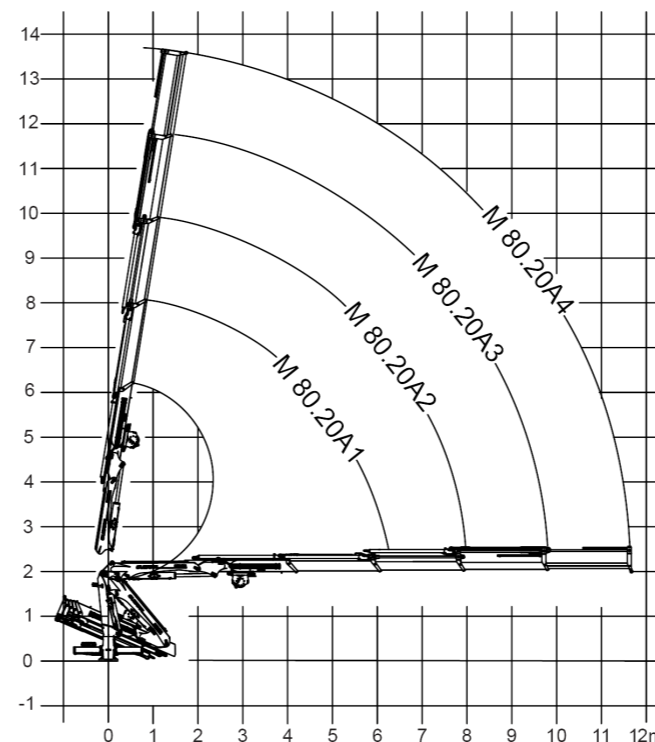
## DATA

- ✓ Built according UNE 13001 HC2-HD4-S2
- ✓ The structure of the crane is grit blasted and metallized
- ✓ Double coat of priming and two layers of painting
- ✓ Special cylinders with Ni-Cr piston rods for marine environments
- ✓ Hose fittings and Pipes of hydraulic installation in stainless steel
- ✓ Hoses with rubber "type A" double coat
- ✓ Wheel-rack slewing system, via cylinders, with bronze bushings
- ✓ Safety valves on the cylinders
- ✓ Hydraulic load limiter and Emergency stop button.

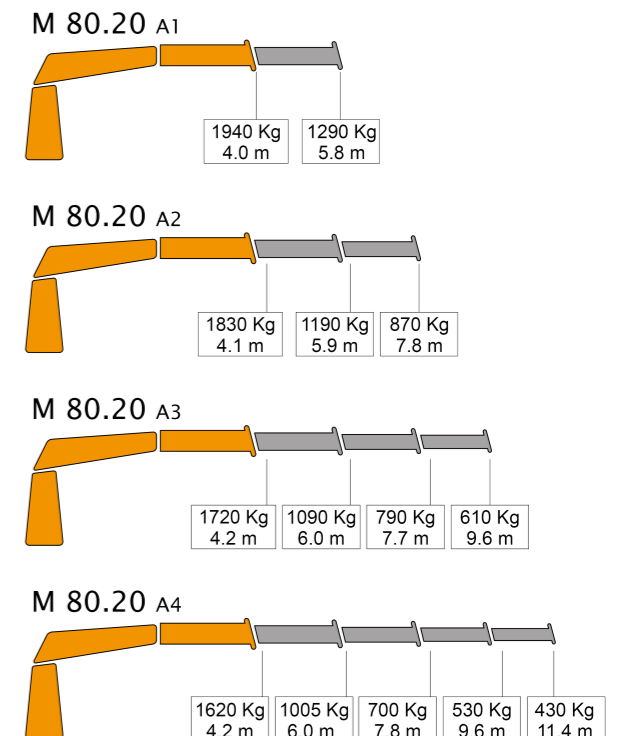
## + OPTIONAL

- ✓ Hydraulic winch.
- ✓ Remote control.
- ✓ Auxiliary hydraulic intakes.
- ✓ Cab.
- ✓ Electric, diesel or gasoline HPU

## POSITIONS DIAGRAM



## LOAD DIAGRAM



Only for use with hook - sea state 0 or harbour condition. For other uses or conditions, contact us. \* When operating with winch, loads must be reduced by the weight of installed winch.