

GUERRA

MB 180.20A

GUERRA



Tel.: +34 986 58 20 00
Fax: +34 986 58 22 91



Avda. Benigno Sánchez s/n
36590 VILA DE CRUCES
(Pontevedra) - Spain



www.iguerra.com
info@iguerra.com



Capture to contact



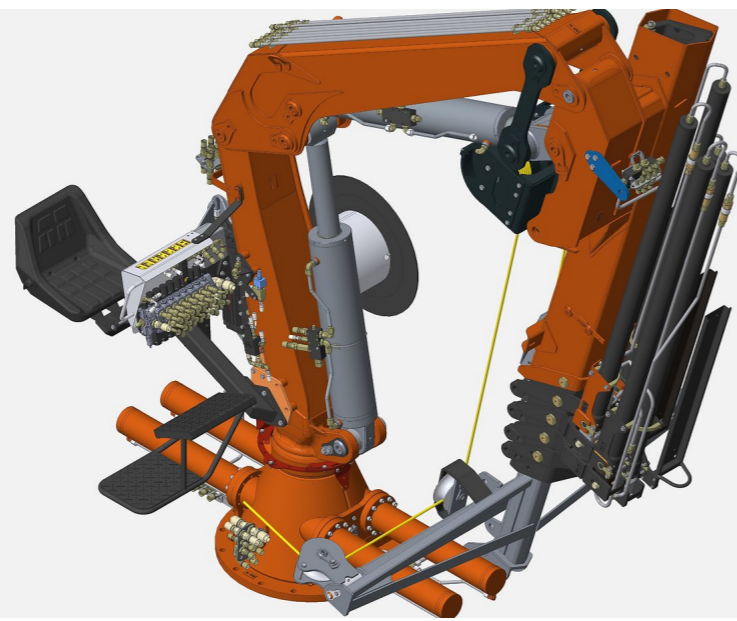
In favour of improving our products, INDUSTRIAS GUERRA reserves the right to make whatever modifications it considers appropriate without prior notice.
ED. 06/2020



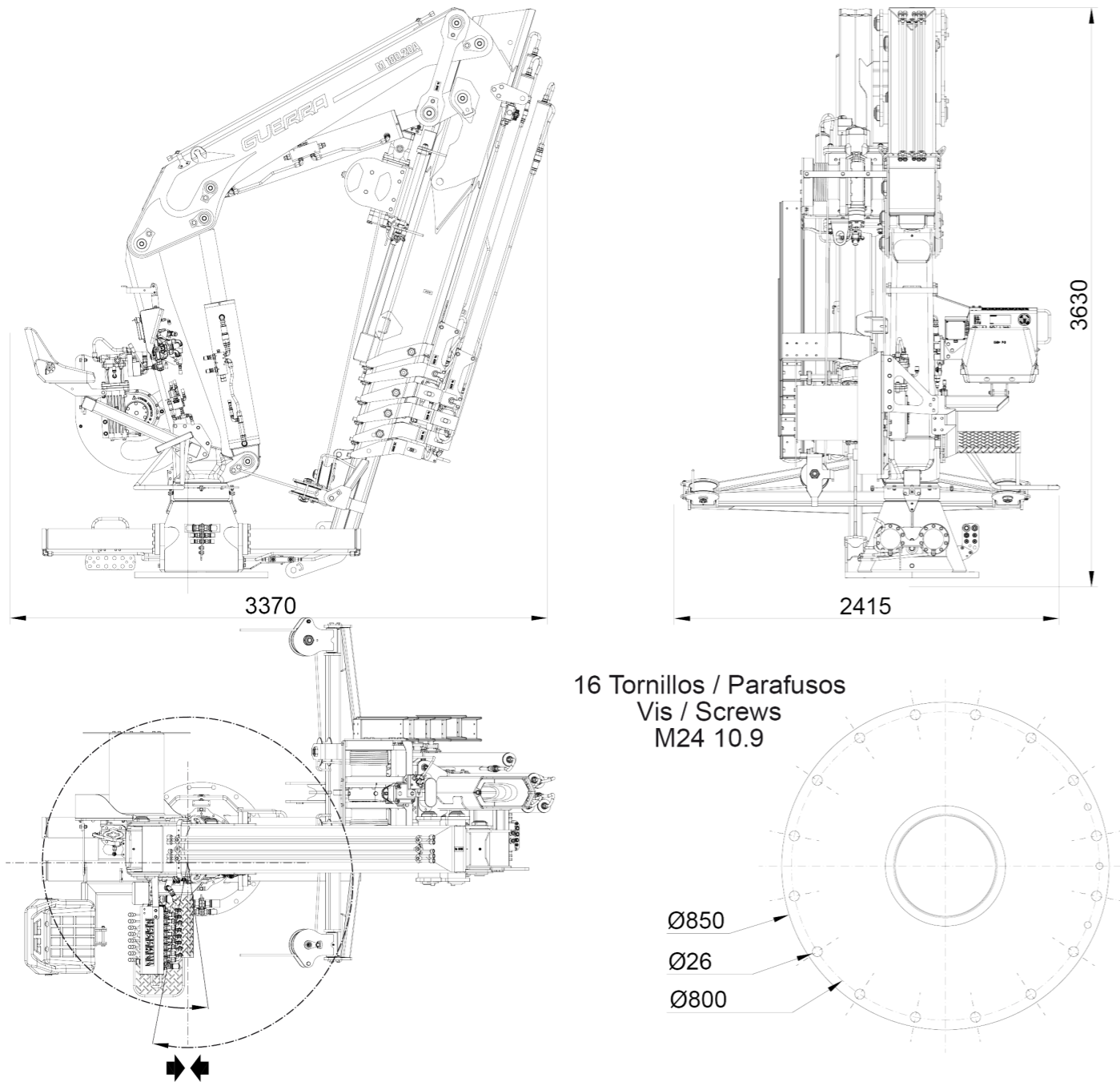
Hydraulic cranes

MARINE

MB 180.20A



DIMENSIONS



TECHNICAL DATA

		MB 180.20A3	MB 180.20A4	MB 180.20A5	
	MAXIMUM LIFTING CAPACITY	[kNm]	154.5	148.6	143.9
	MAXIMUM HYDRAULIC OUTREACH	[m]	10.8	12.7	14.6
	GROSS SLEWING TORQUE	[kNm]	40	40	40
	SLEWING ANGLE	[°]	400	400	400
	MAXIMUM WORKING PRESSURE	[bar]	245	245	245
	MAXIMUM OIL FLOW	[l/min]	50	50	50
	MASS OF STANDARD CRANE	[Kg]	3230	3380	3515

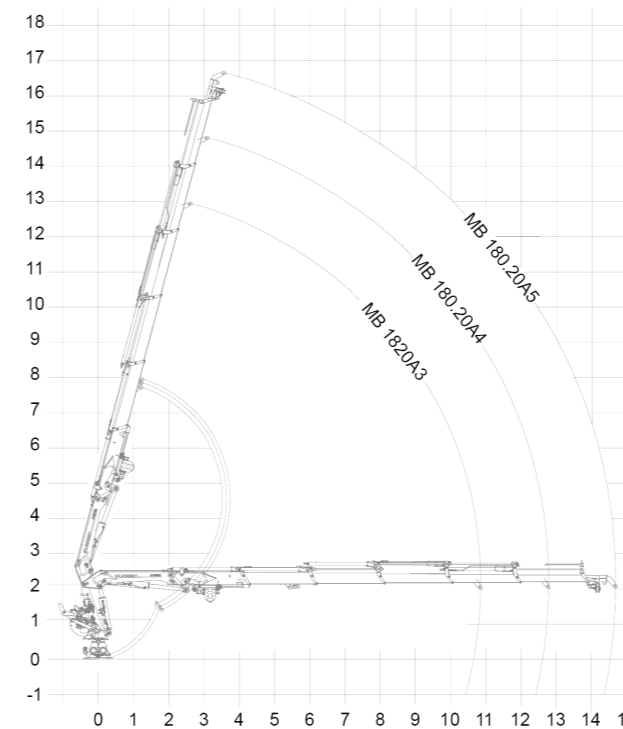
DATA

- ✓ Built according DIN 15018 H1-B3
- ✓ The structure of the crane is grit blasted and metallized
- ✓ Double coat of priming and two layers of painting
- ✓ Special cylinders with Ni-Cr piston rods for marine environments
- ✓ Hose fittings and Pipes of hydraulic installation in stainless steel
- ✓ Hoses with rubber "type A" double coat
- ✓ Wheel-rack slewing system, via cylinders, with bronze bushings
- ✓ Safety valves on the cylinders
- ✓ Hydraulic load limiter and Emergency stop button.

OPTIONAL

- ✓ Hydraulic winch.
- ✓ Remote control.
- ✓ Auxiliary hydraulic intakes.
- ✓ Cab.
- ✓ Electric, diesel or gasoline HPU

POSITIONS DIAGRAM



LOAD DIAGRAM

