

**GUERRA**

MR 135.45A

**GUERRA**



Tel.: +34 986 58 20 00  
Fax: +34 986 58 22 91



Avda. Benigno Sánchez s/n  
36590 VILA DE CRUCES  
(Pontevedra) - Spain



[www.iguerra.com](http://www.iguerra.com)  
[info@iguerra.com](mailto:info@iguerra.com)



Capture to contact



In favour of improving our products, INDUSTRIAS GUERRA reserves the right to make whatever modifications it considers appropriate without prior notice.  
ED. 12/2021



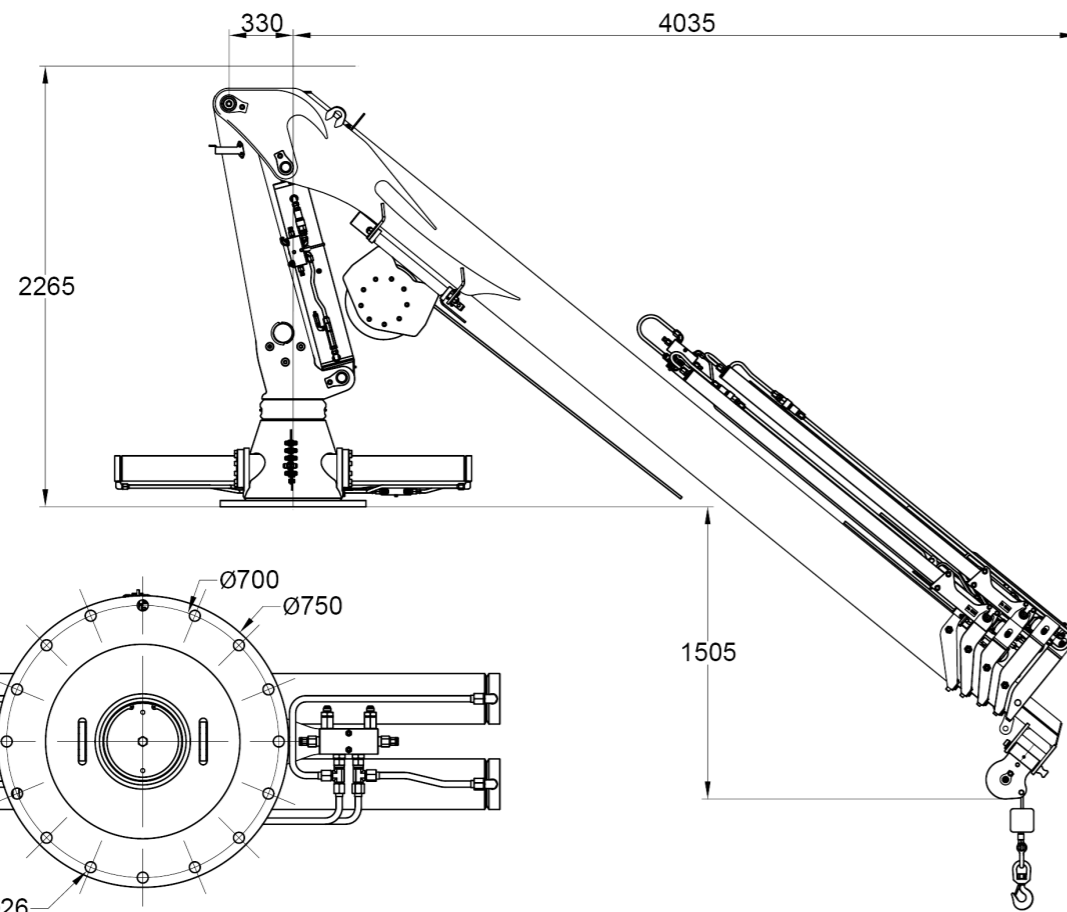
Hydraulic cranes

**MARINE**

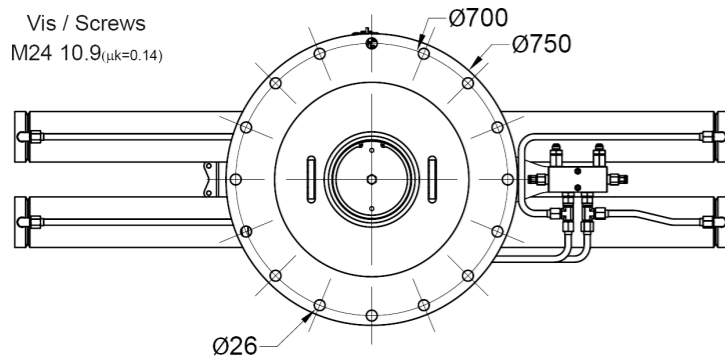
# MR 135.45A



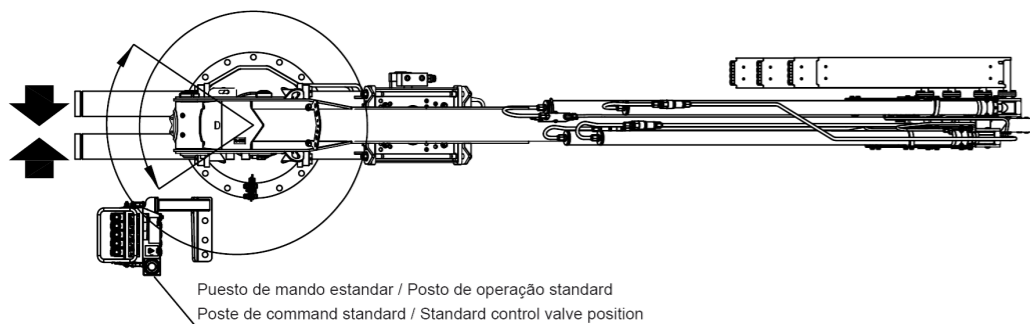
## DIMENSIONS



16 Tornillos / Parafusos  
Vis / Screws  
M24 10.9(μk=0.14)



Punto muerto de giro estándar / Ponto morto de rotação standard  
Point mort de rotation standard / Standard stop slewing point



Puesto de mando estándar / Posto de operação standard  
Poste de command standard / Standard control valve position

## TECHNICAL DATA

MR 135.45A1 MR 135.45A2 MR 135.45A3 MR 135.45A4

	MAXIMUM LIFTING CAPACITY	[kNm]	131.4	126.7	122.2	118.1
	MAXIMUM HYDRAULIC OUTREACH	[m]	6.3	8.2	10.1	12.0
	GROSS SLEWING TORQUE	[kNm]	26.1	26.1	26.1	26.1
	SLEWING ANGLE	[°]	430	430	430	430
	MAXIMUM WORKING PRESSURE	[bar]	210	210	210	210
	MAXIMUM OIL FLOW	[l/min]	40	40	40	40
	MASS OF STANDARD CRANE	[Kg]	1440	1575	1700	1810

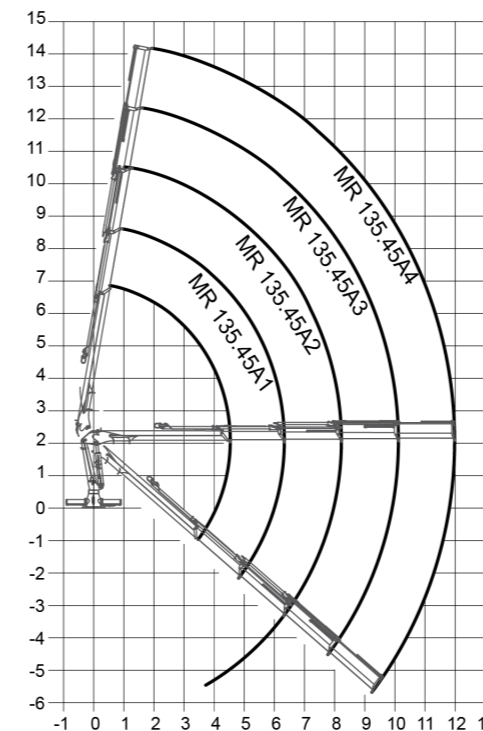
## DATA

- ✓ Built according DIN 15018 H1-B3
- ✓ The structure of the crane is grit blasted and metallized
- ✓ Double coat of priming and two layers of painting
- ✓ Special cylinders with Ni-Cr piston rods for marine environments
- ✓ Hose fittings and Pipes of hydraulic installation in stainless steel
- ✓ Hoses with rubber "type A" double coat
- ✓ Wheel-rack slewing system, via cylinders, with bronze bushings
- ✓ Safety valves on the cylinders
- ✓ Hydraulic load limiter and Emergency stop button.

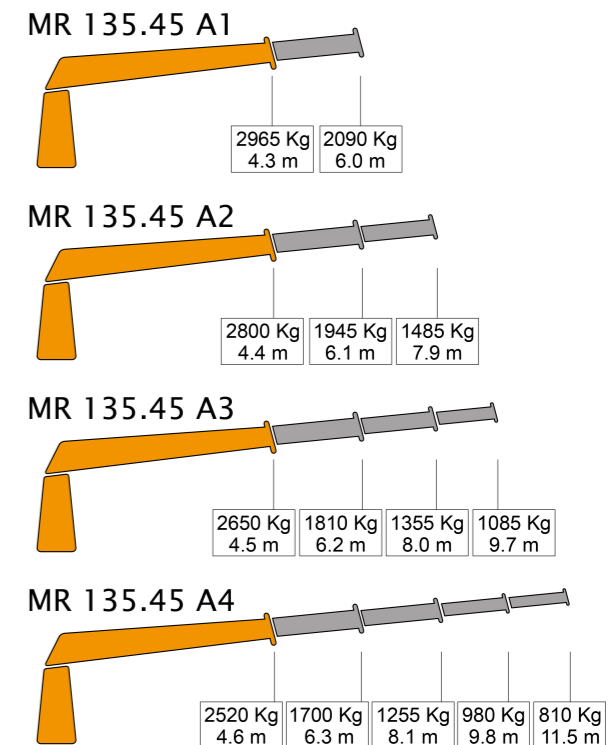
## + OPTIONAL

- ✓ Hydraulic winch.
- ✓ Remote control.
- ✓ Auxiliary hydraulic intakes.
- ✓ Cab.
- ✓ Electric, diesel or gasoline HPU.

## POSITIONS DIAGRAM



## LOAD DIAGRAM



Only for use with hook - sea state 0 or harbour condition. For other uses or conditions, contact us. \* When operating with winch, loads must be reduced by the weight of installed winch.