

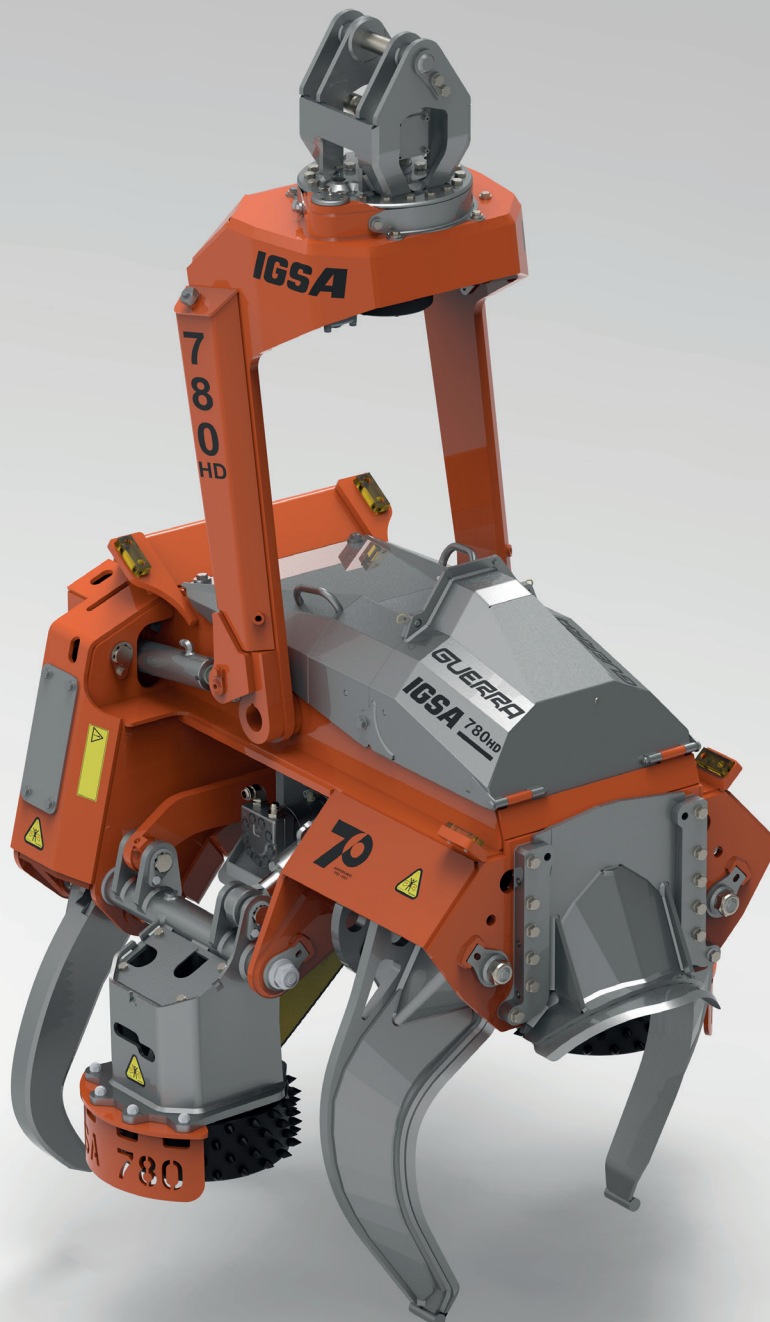
HARVESTER
HEADS

IGSA 780HD

DIV.

FORESTRY

GUERRA





DIMENSIONS

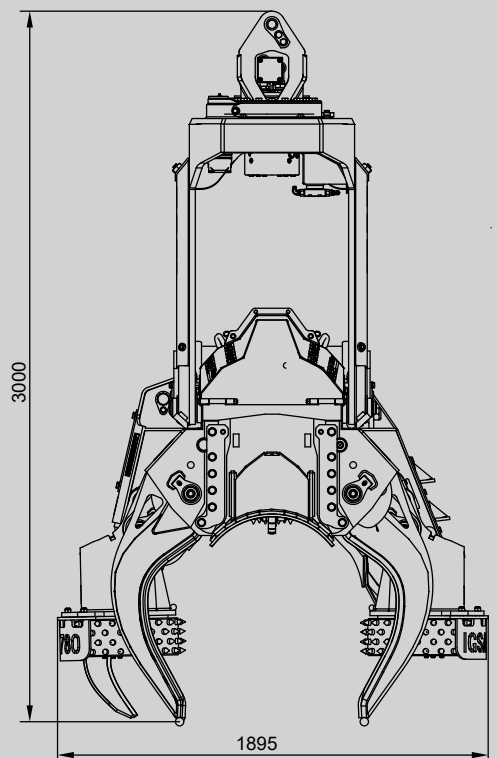
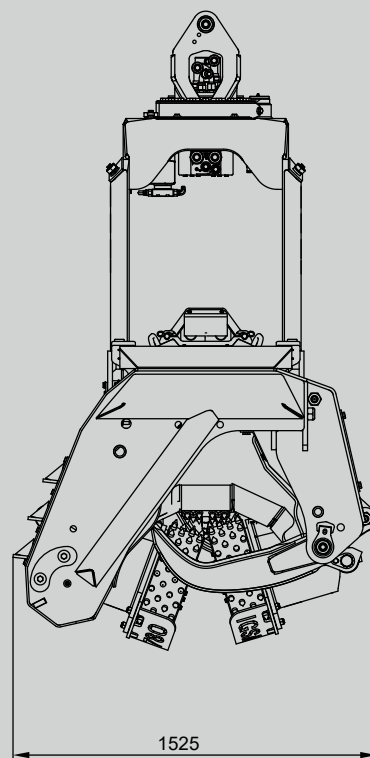
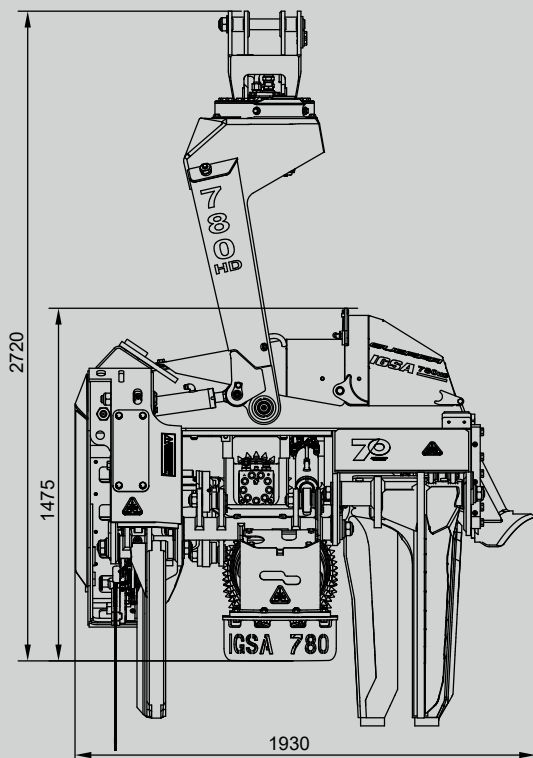
OVERALL DIMENSIONS CLOSED

Height	2455 mm
Width	1525 mm
Length	1435 mm



DIMENSIONS IN WORKING POSITION

Height	3000 mm
Width (rollers closed)	1525 mm
Width (rollers open)	1895 mm
Length	1930 mm
Weight (from)	2840 Kg



TECHNICAL DATA

ROTATION 360° continuous

FELLING

Diameter max. opening rollers 80 cm

Diameter max. felling 80 cm

IGSA Hydraulic Chain saw

Power 45 kW

Chain pitch 0.4"

Max saw bar length 90 cm

Chain tensioning and automatic guide bar attachment (JET FIT)

FEEDING EQUIPMENT

3 pinch rollers

Traction motor STD (780-500) cc

Maximum feeding speed 0-5 m/s

DELIMITING

Delimiting diameter 5 - 80 cm

Floating knife system pine and eucalyptus

2 upper knives with independent cylinders and a lower knife

RECOMMENDED BASE MACHINE

Type excavator

Weight 25 - 35 T

Recommended flow to 250 bar 250 l/min

Pressure 280 bar

CONTROL AND MEASUREMENT SYSTEM

Standard ilogger LHCS3

NEW FEATURES

SEVERAL IMPROVEMENTS HAVE BEEN INCORPORATED INTO THE IGSA 780HD HARVESTING HEAD, MAKING IT A HIGHLY VERSATILE HEAD FOR PINE AND EUCALYPTUS WORK.

PRODUCTIVITY:

- Higher saw speed.
- New floating blade that allows optimal delimiting in both eucalyptus and pine.
- High precision hydraulic measuring system for pine production.

MECHANICAL AVAILABILITY:

- New generation of clamps with greater strength and higher service factor (↑ 25%) which increases their durability.
- Use of stronger materials and surface treatments to ensure greater mechanical availability.
- New damping lugs for increased durability.

MAINTENANCE:

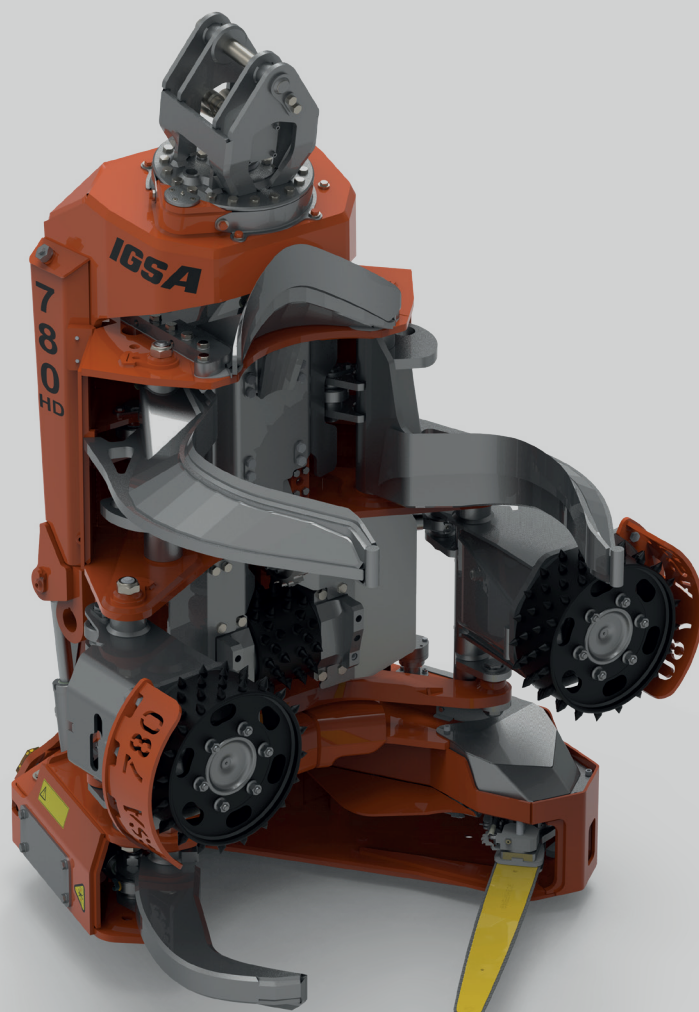
- New safety valve to increase the durability of the slewing motor.
- New linear measuring encoder to withstand higher vibrations.

SECURITY:

- New mechanical protection against possible ejection of elements from the saw chain.

OPTIONAL EQUIPMENT

- Automatic herbicide injection.
- Color marking.
- 1043-630 cc traction motor.
- Xlogger measuring equipment with 12" touch screen.
- Top bar.
- Telemetry and remote management.
- Reversible side rollers.





GUERRA

VILA DE CRUCES [PO] SPAIN	36590
IGUERRA.COM	

● HEADQUARTERS ▾

VILA DE CRUCES

Engineering, production and assembly plant.
Avd. Benigno Sánchez S/N
36590 Vila de Cruces / Pontevedra. Spain
T_ (+34) 986 582 000
info@iguerra.com

SILLEDA

CNC Machining plant and supply center.
Parque empresarial Silleda Área 33 Parcela 32
36540 Silleda / Pontevedra. Spain
T_ (+34) 986 582 000

OIRÓS

Integrations and automation plant.
Lugar Tenza do Río Outeiro S/N
36590 Vila de Cruces / Pontevedra. Spain
T_ (+34) 986 582 000

SANTIAGO DE COMPOSTELA

Repairs, maintenance and sale of spare parts.
Vía de la Cierva 12
15898 Santiago de Compostela / A Coruña. Spain
T_ (+34) 981 51 98 30

MANGUALDE

Distribution plant. Portugal.
Zona Industrial Salgueiro / Lt. 14
Aptd.166 / Portugal

BUENOS AIRES

Distribution plant. Argentina.
Colectora Este Panamericana Ricardo Rojas
Provincia de Buenos Aires. Argentina
T_ (+54) 11 6374-1300

CORRIENTES

Distribution plant. Argentina.
Ruta 14, kilómetro 749, Gobernador Virasoro
Provincia de Corrientes, Argentina.



In favour of improving our products, INDUSTRIAS GUERRA reserves the right to make whatever modifications it considers appropriate without prior notice.

ED:012026